



ANIMA LAB

animal facility and laboratory equipment • animal research models



Vivarium lighting 2017

Vivarium LED lighting

In our offer we have safelights, based on LED technology. These are devices with high rate of long-term reliability dedicated especially for the vivarium.

Safelights have their own supply system with a microprocessor controller, enabling precise light regulation. Light is modulated through change in amount of pulses shining for a very short period of time, with constant width, with changing break of lighting in a unit of time.

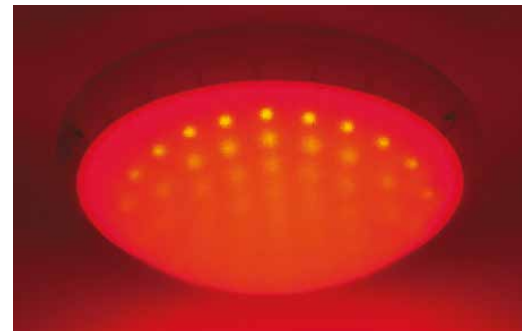
In latest models of lamp, we applied an assembly technology SMD, and improved light modelling through the use of triple LED diodes with a very wide radiation angle and additional softening of the light by diffusers made of PMMA materials (Acrylic).

Careful assembly and tests of each produced lamp and keeping compliance with harmonized norms during construction will give You a full satisfaction.

On special request, we can provide a lamp powered by external safety transformer 24 VAC.

Our lamps meet requirements of harmonized norm EN 62471 „Photobiological safety of lamps and lamp systems”.

3-year manufacturer's warranty.



Microprocessor safelight MLC-O V3 RAT



Feature:	Data:
Power supply	230 VAC, 50 Hz
Power	3 ÷ 14,5 W
Light source type	Red diods, SMD LED
Lifetime	90 000 h
Cert.	CE, RoHS
Electric shock protection	
IP	54
Weight	1,085 kg
Pcs. / Ctn.	1

Vivarium lighting MLC-O V3 RAT

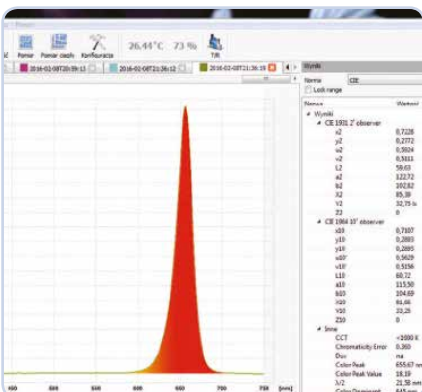
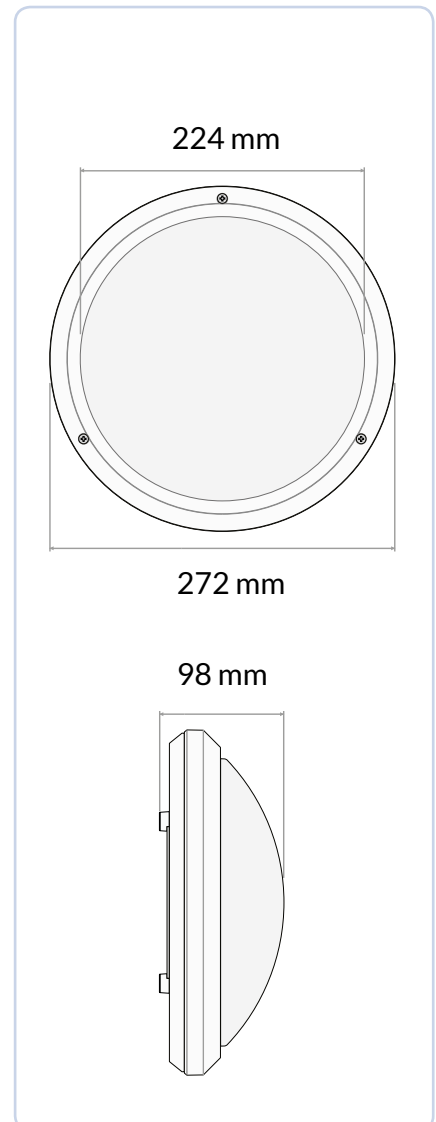
Microprocessor safelight MLC-O V3 uses narrowband emission of LED diodes and it is designed for vivarium lighting, installation on the ceiling is recommended.

- Casing made of white plastic ABS with a diffusive window with PMMA, it provides IP54 protection degree and allows to use the lamp in the rooms with increased humidity.
- Lamp has potentiometer for adjustment, with an option of accurate set of brightness of light.

Light source - technical data:

The light source of the lamp is 144 SMD LED diods in PLCC6 case, with a 660 nm wavelength in a red color.

- Lamp light is not visible for the animals in the Vivarium, such as rodents.



Microprocessor safelight MLC-S V3 RAT



Feature:	Data:
Power supply	230 VAC, 50 Hz
Power	1,7 ÷ 11 W
Light source type	Red diods, SMD LED
Lifetime	90 000 h
Cert.	CE, RoHS
Motion range	max 150°
Electric shock protection	
IP	53
Weight	1,255 kg
Pcs. / Ctn.	1

Vivarium lighting MLC-S V3 RAT

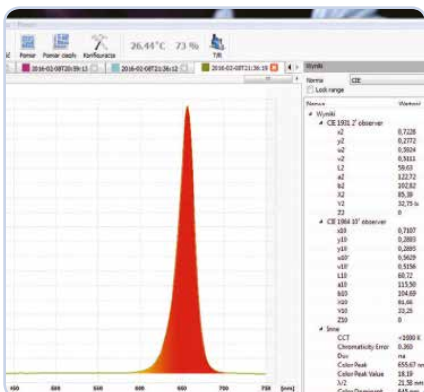
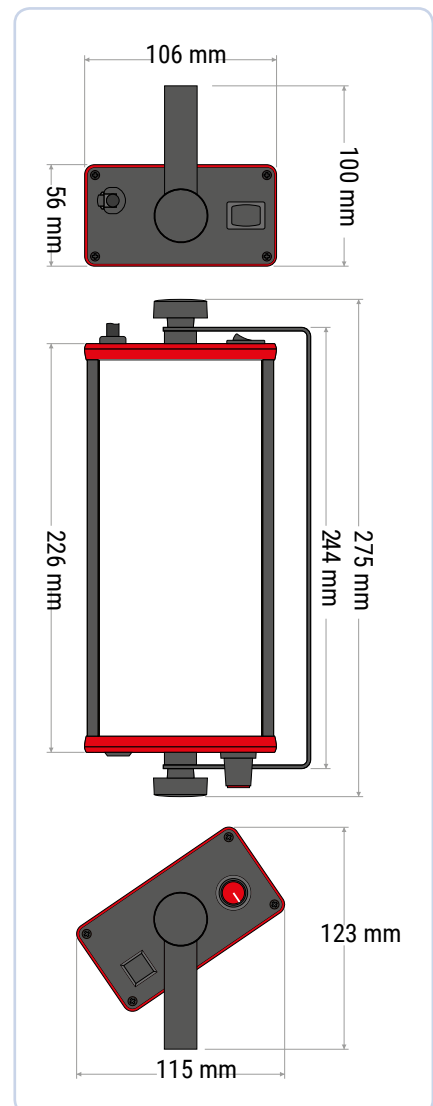
Microprocessor safelight MLC-S V3 uses narrowband emission of LED diodes and it is designed for vivarium lighting, installation on the wall is recommended.

- Casing made of aluminium profile anodised into black colour with a diffusive window with PMMA, it provides IP53 protection degree and allows to use the lamp in the rooms with increased humidity.

Light source - technical data:

The light source of the lamp is 96 SMD LED diods in PLCC6 case, with a 660 nm wavelength in a red color.

- Light can be modulated through change in amount of pulses shining for a very short period of time, with constant width, with changing break of lighting in a unit of time.
- Lamp light is not visible for the animals in the Vivarium, such as rodents.



ANIMA LAB

animal facility and laboratory equipment • animal research models

AnimaLab Sp. z o. o.

Poland

Ph: + 48 61 861 60 04
E: info@animalab.pl

AnimaLab sro.

Czech Republic

Ph: + 420 608 886 038
E: info@animalab.cz

AnimaLab Hungary Kft.

Hungary

Ph: +36 704 314 441
E: info@animalab.hu