

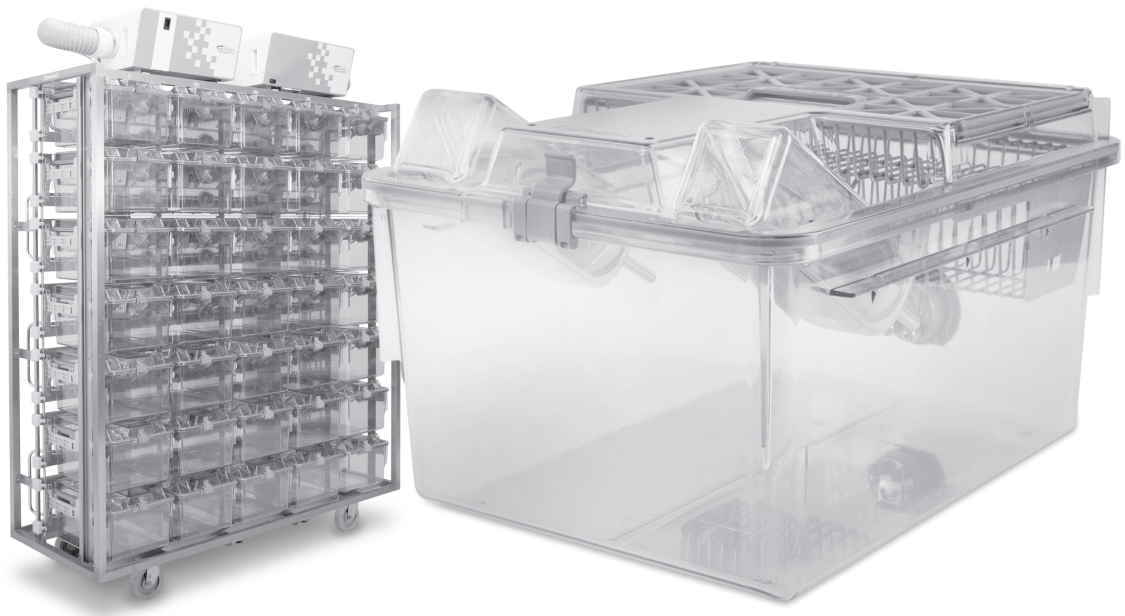


**Your trusted global partner
in life-saving research.**

For over 50 years, Allentown has provided critical solutions to the biomedical research community. Our high-quality equipment and advanced vivarium systems continue to define and exceed industry standards. Like everything we do, our unparalleled customer service is stamped with the Allentown hallmarks of integrity, dedication and care.

NexGen™

RAT 900



OVERVIEW

Providing critical solutions with integrity and care.



NexGen Rat 900

The lightest, most cost-effective, easiest-to-use animal-friendly IVC system in the LAS industry, now configured for rat housing.

Smooth sliding, easy gliding cage docking / undocking
(Validated by third-party ergonomist)

Low vibration spares animals and staff from discomfort

Reduced need to move animals or clean out cages

Observation made easier and faster

“Super easy
to take cage
out of rack”

“It’s so quiet
I can barely
hear it”

“The functionality
and manoeuvrability
alone are excellent”

“All the
animals
bred well”

“Blower is simple
to operate with
no vibration issues”

COMPONENTS



IVC System

- Positive or negative precision air controlled rack
- Exhaust plenum always negative to the room
- 30, 35, 60, and 70 cage capacities available
- Whole rack system and cages are autoclavable up to 134 °C¹ and chemically sterilisable
- Plastic (polysulfone) cage support runners with integrated spring-operated cage lock with docking indicator
- Ergonomic, single-finger motion docking with auto-locking feature
- Multi-directional 127 mm diameter stainless steel casters with gray polypropylene wheels with sealed ball bearings and four foot-operated brakes
- Dismantable horizontal airflow manifolds with tethered dual plastic end caps for ease of cleaning
- Rear exhaust and supply plenum configurations for single-sided IVCs, or same side exhaust and supply plenum configurations for double-sided IVCs
- 100 mm diameter vertical supply and 100 mm diameter vertical exhaust plenums with back and bottom door access
- 304 stainless steel, welded frame construction, utilizing both square and rectangular structural tubing
- Cage air tubes are 304 stainless steel
- Automatic watering available
- Row and column identification labels
- Model number and serial number identification labels
- Compatible with all configurations of EcoFlo™ blowers
- Compatible with WiVarium Plus™ and Wi-Com Vantage™
- Compatible with Sentinel™ EAD® colony health monitoring system
- Compatible with Wi-Com Sensus™ RFID census solution
- Combo rack option accommodates both NexGen Rat 900 and 1800 cages (15 and 30 cage capacities available)
- Accommodates both NexGen reusable and EasyCage® single-use cage systems

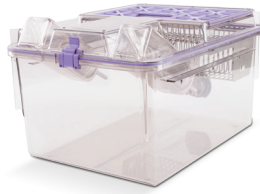


Cage System

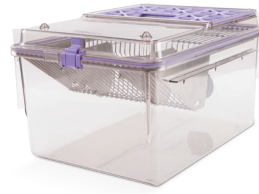
- Cage floor space of 916 cm²
- Clear polysulfone plastic
- Gasketed cage lid ensures safety and protection from damage
- Clear cage and flip-up / stay-up cardholders improve observations
- Easily accessible water bottles (EBT)
- Hinged filter retainer swings up for easy filter replacements
- Compact nesting and stacking for more efficient autoclaving throughput
- Available with or without locks and with multiple feeder configurations

COMPONENTS

Cage System with External Bottle Top
300 mm x 234 mm x 412 mm
Floor space: 916 cm²



Cage System with Micro Barrier Top
300 mm x 234 mm x 412 mm
Floor space: 916 cm²



Bottle



250 mL | 281 g (filled)
Item # PC250BCL+SLC



350 mL | 395 g (filled)
Item # PC350BCL+SLC

Top



External Bottle Top
300 mm x 115 mm x 410 mm | 885 g
Item # 225440-1 (without locks)
Item # 225440-2 (with locks)



Micro Barrier Top
300 mm x 49 mm x 412 mm | 748 g
Item # 225556-1 (without locks)
Item # 225556-2 (with locks)



External Hydropac® Top*
300 mm x 127 mm x 410 mm | 907 g
Item # 229382-1 (without locks)
Item # 229382-1 (with locks)

Cardholder

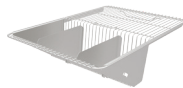


76 mm x 102 mm Vertical
Item # VH34P9-8
(also available in 76 mm x 127 mm
Item # VH35P9-8)



76 mm x 102 mm Horizontal
Item # HH34P9-8
(also available in 76 mm x 127 mm
Item # HH35P9-8)

WBL / Feeder



Wire Bar Lid
Food capacity: 771 g
283 mm x 99 mm x 388 mm | 726 g
Item # 412417



Half Pocket Wire Bar Lid
Food capacity: 998 g
283 mm x 122 mm x 216 mm | 454 g
Item # 412410

Enrichment



Cage Divider
245 mm x 277 mm x 373 mm | 249 g
Item # 228543



Enrichment Loft
189 mm x 106 mm x 90 mm | 136 g
Item # 315584

Cage



Cage
300 mm x 195 mm x 395 mm | 1225 g
Item # 225720-1 (without automatic watering)
Item # 225720-2 (with automatic watering)

SPECIFICATIONS

Size	Depth (A)	Width (B)	Height ¹ (C)	Height ^{1,2} (D)	Matrix		Sides	Weights ³ (loaded)	Weights ³ (unloaded)	Animal Capacity	ACH	Supply Air	Exhaust Air (+)	Exhaust Air (-)	Energy Use	Heat Load
	mm	mm	mm	mm	Col.	Row		kg	kg			m ³ /hr	m ³ /hr	m ³ /hr	Watts	Watts
127 mm Casters																
30	622	1653	1708	1738	5	6	1	227	123	60	60	28.9	22.1	35.7	12.1	10.9
35	622	1653	1961	1990	5	7	1	240	140	70	60	34.0	25.5	42.5	13.8	12.4
60	889	1759	1708	1738	5	6	2	313	144	120	60	59.5	44.2	74.8	21.6	19.4
70	889	1759	1961	1990	5	7	2	347	168	140	60	68.0	51.0	85.0	21.8	19.6

Note: a.) Airflow at sea-level b.) Rack weight without blowers, animals, bedding or watering c.) Airflow tolerance ± 10 % d.) Other configurations available.
¹ Height includes casters. Add 247 mm to 297 mm for rack mounted blowers ² Height includes removable runners and collars ³ All weights are approximations

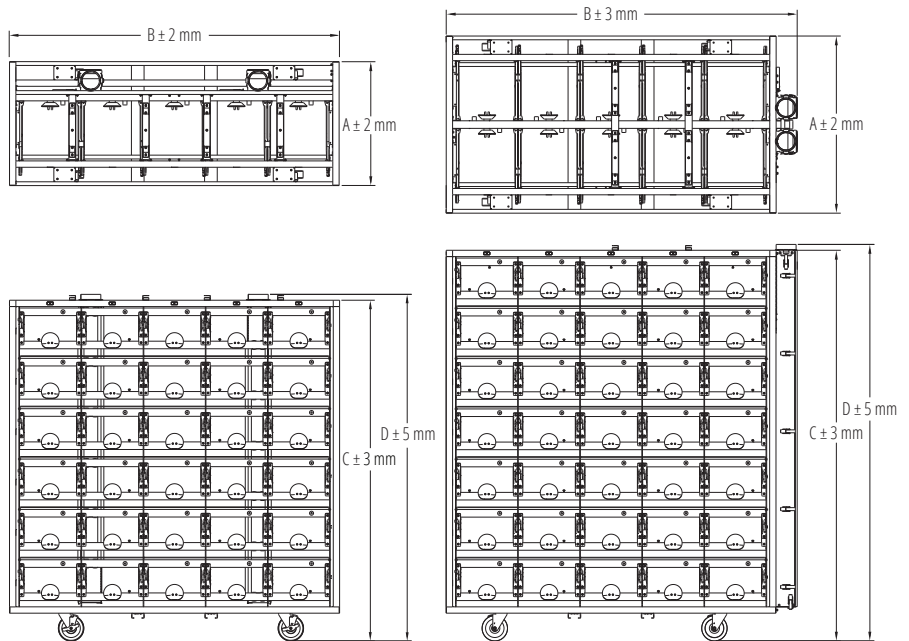
Notes

127 mm diameter casters

Optional top panel

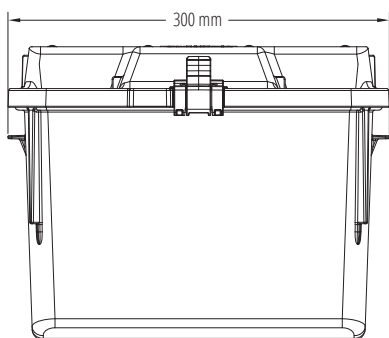
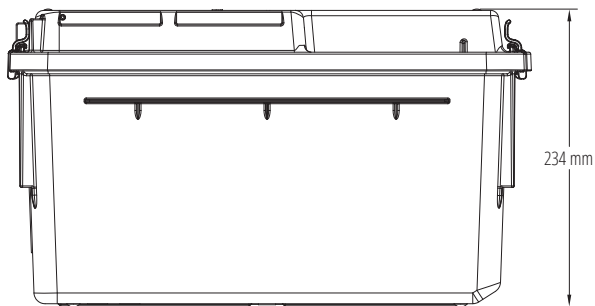
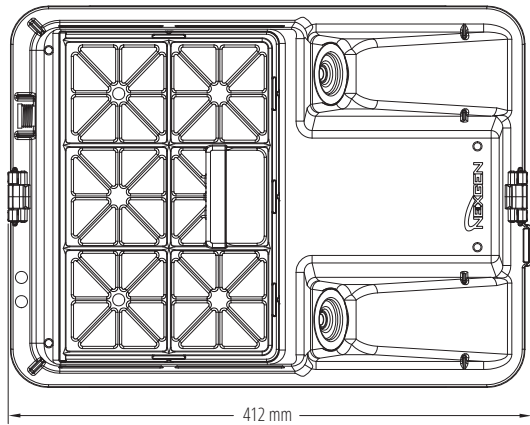
Optional bumpers may change dimensions

Multiple blower configurations



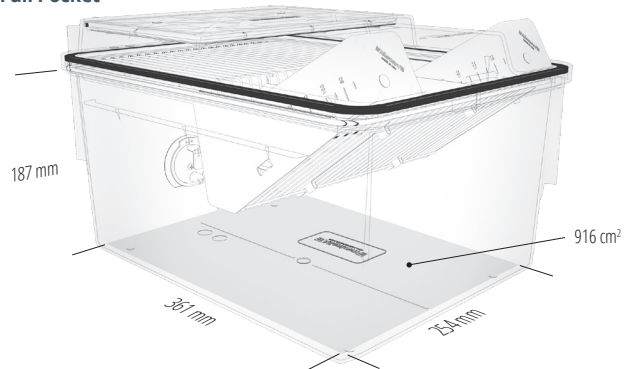
SPECIFICATIONS

External Dimensions

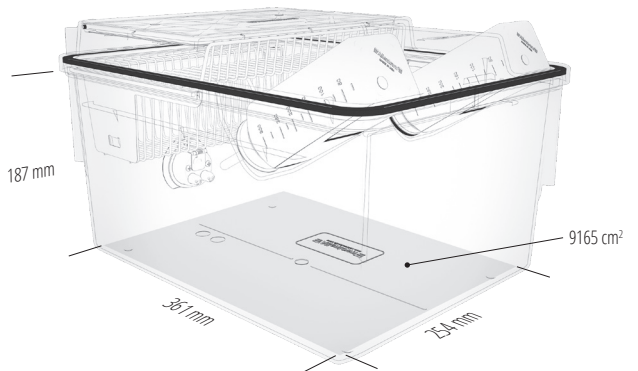


Internal Dimensions

Full Pocket

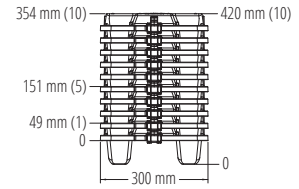
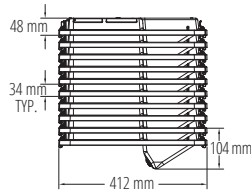
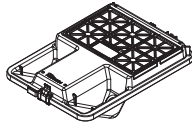


Half Pocket

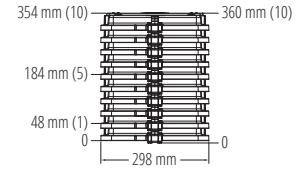
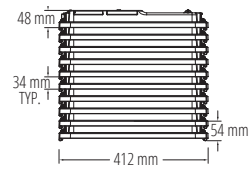
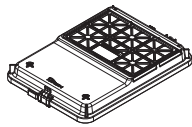


SPECIFICATIONS

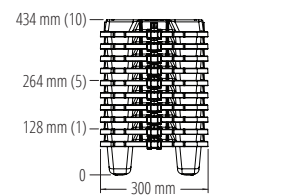
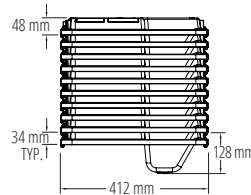
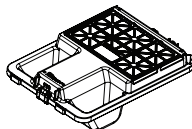
External Bottle Top



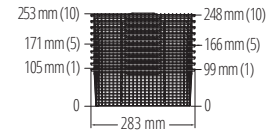
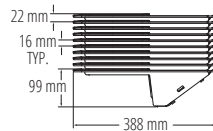
Micro Barrier Top



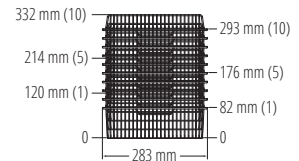
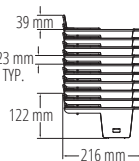
External Hydropac Top



Full Pocket Wire Bar Lid



Half Pocket Wire Bar Lid



Cage

