

**Your trusted global partner  
in life-saving research.**

For over 50 years, Allentown has provided critical solutions to the biomedical research community. Our high-quality equipment and advanced vivarium systems continue to define and exceed industry standards. Like everything we do, our unparalleled customer service is stamped with the Allentown hallmarks of integrity, dedication and care.

# EasyCage®

RAT



OVERVIEW

Providing critical solutions with integrity and care.



## Disposable, Recyclable, Retrofittable Caging

EasyCage Rat is a single-use, recyclable, retrofittable caging option that works in conjunction with Allentown's NexGen Rat IVCs. Because it's single-use, the EasyCage eliminates cage processes such as washing and autoclaving, streamlining vivarium operations while at the same time improving performance, bio-security, ergonomics, and energy consumption.

All plastic components come decontaminated and ready to use right out of the box.

Once assembled, EasyCages can then be placed directly into a NexGen Rat IVC and used immediately.

When finished using, bedding is discarded and the cage can then be recycled or disposed of. With no post-use processing necessary, putting cages in to and out of use couldn't be any easier.

## COMPONENTS



### IVC System

Positive or negative precision air controlled rack

Exhaust plenum always negative to the room

30, 35, 60, and 70 cage capacities available

Whole rack system and cages are autoclavable up to 134 °C<sup>1</sup> and chemically sterilisable

Plastic (polysulfone) cage support runners with integrated spring-operated cage lock with docking indicator

Ergonomic, single-finger motion docking with auto-locking feature

Multi-directional 127 mm diameter stainless steel casters with gray polypropylene wheels with sealed ball bearings and four foot-operated brakes

Dismantable horizontal airflow manifolds with tethered dual plastic end caps for ease of cleaning

Rear exhaust and supply plenum configurations for single-sided IVCs, or same side exhaust and supply plenum configurations for double-sided IVCs

100 mm diameter vertical supply and 100 mm diameter vertical exhaust plenums with back and bottom door access

304 stainless steel, welded frame construction, utilizing both square and rectangular structural tubing

Cage air tubes are 304 stainless steel

Automatic watering available

Row and column identification labels

Model number and serial number identification labels

Compatible with all configurations of EcoFlo™ blowers

Compatible with WiVarium Plus™ and Wi-Com Vantage™

Compatible with Sentinel™ EAD® colony health monitoring system

Compatible with Wi-Com Sensus™ RFID census solution

Combo rack option accommodates both NexGen Rat 900 and 1800 cages (15 and 30 cage capacities available)

Accommodates both NexGen reusable and EasyCage® single-use cage systems

### Cage System

#### EasyCage Rat Base

- Made from recyclable, BPA-free, PET
- Floor area: 916 cm<sup>2</sup>
- Pre-bedding options: NestPak® ALPHA-dri® or corn cob
- Snap fit with EasyCage Rat Lid
- Sealed supply filter maintains the micro-environment

#### EasyCage Rat Lid

- Made from recyclable, BPA-free, PET
- Integrated dual bottle wells
- Snap fit with EasyCage Rat Base
- Sealed filters maintain the micro-environment

#### EasyCage Rat Feeders

- Available feeders:
  - Recyclable aluminum
  - Wire bar made from stainless steel
- Food capacity: 798 g
- Reusable beyond one cage change

#### EasyCage Cardholder

- Recyclable PVC
- Accommodates 76 mm x 102 mm or 76 mm x 127 mm
- Slides onto EasyCage Rat Lid

#### EasyCage Watering

- Recyclable, BPA-free, PET bottles
- Purified water
- Dual 300 mL filled (Empty bottles also available)
- Automatic watering version available

#### NestPak Bedding

- ALPHA-dri or 100 g corn cob (x2)
- A 3-in-1 solution: bedding, nesting and enrichment
- Reduces airborne particulates and allergens
- FDA-approved paper containing a consistent amount of bedding
- Safe for both autoclaving and irradiation

*All plastic components come decontaminated and ready to use.*



**COMPONENTS**

**Standard Cage System**  
298 mm x 226 mm x 441 mm | 1080 g  
Floor space: 916 cm<sup>2</sup>



**Bottle**



300 mL | 340 g  
Item # 228333-1 (x2)  
(Empty bottle option available:  
Item # 228333-4-R | 23 g)

**Lid**



**Hydropac<sup>®1</sup> / Bottle Lid**  
298 mm x 122 mm x 441 mm | 172 g  
Item # 229796-1-R



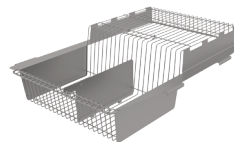
**No Bottle Hole Lid**  
298 mm x 122 mm x 441 mm | 172 g  
Item # 229796-2-R

**Cardholder**



Accommodates 76 mm x 102 mm or 76 mm x 127 mm | 23 g  
Item # 228539-V

**WBL / Feeder**



**Stainless Steel Wire Bar Lid**  
Food capacity: 798 g  
282 mm x 107 mm x 399 mm | 594 g  
Item # 229611



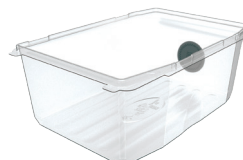
**Aluminum Lid<sup>2</sup>**  
Food capacity: 798 g  
283 mm x 105 mm x 399 mm | 567 g  
Item # 229951

**NestPak<sup>®</sup>**

**Base**



ALPHA-dri<sup>®</sup> or 100 g Corn Cob (x2)



**Base**  
Automatic watering available  
298 mm x 164 mm x 441 mm | 254 g  
Item # 229799-R

**SPECIFICATIONS**

Size	Depth (A)	Width (B)	Height <sup>1</sup> (C)	Height <sup>1,2</sup> (D)	Matrix		Sides	Weights <sup>3</sup> (loaded)	Weights <sup>3</sup> (unloaded)	Animal Capacity	ACH	Supply Air	Exhaust Air (+)	Exhaust Air (-)	Energy Use	Heat Load
	mm	mm	mm	mm	Col.	Row		kg	kg			m <sup>3</sup> /hr	m <sup>3</sup> /hr	m <sup>3</sup> /hr	Watts	Watts
<b>127 mm Casters</b>																
30	622	1653	1708	1738	5	6	1	227	123	60	60	28.9	22.1	35.7	12.1	10.9
35	622	1653	1961	1990	5	7	1	240	140	70	60	34.0	25.5	42.5	13.8	12.4
60	889	1759	1708	1738	5	6	2	313	144	120	60	59.5	44.2	74.8	21.6	19.4
70	889	1759	1961	1990	5	7	2	347	168	140	60	68.0	51.0	85.0	21.8	19.6

Note: a.) Airflow at sea-level b.) Rack weight without blowers, animals, bedding or watering c.) Airflow tolerance ± 10 % d.) Other configurations available.  
<sup>1</sup> Height includes casters. Add 247 mm to 297 mm for rack mounted blowers <sup>2</sup> Height includes removable runners and collars <sup>3</sup> All weights are approximations

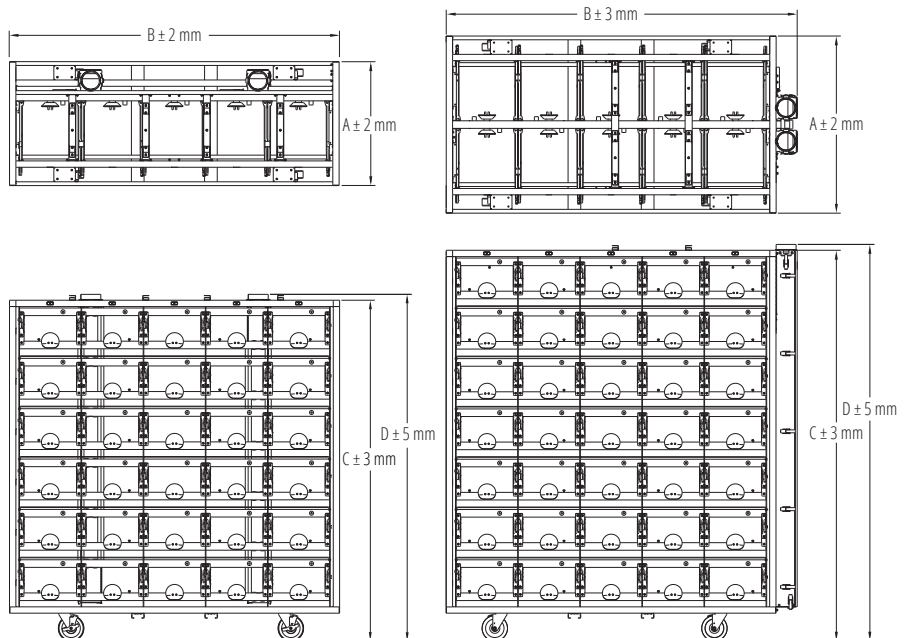
**Notes**

127 mm diameter casters

Optional top panel

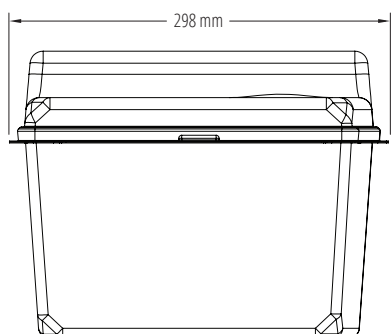
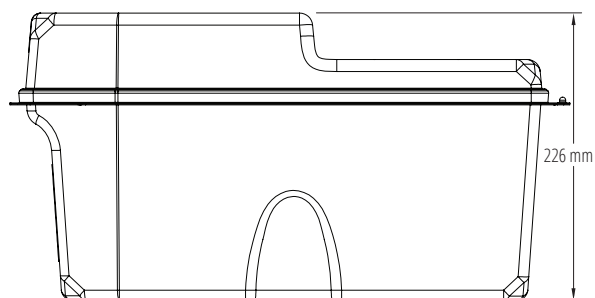
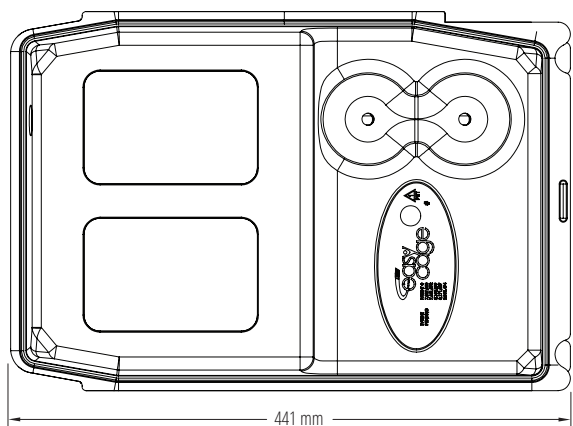
Optional bumpers may change dimensions

Multiple blower configurations



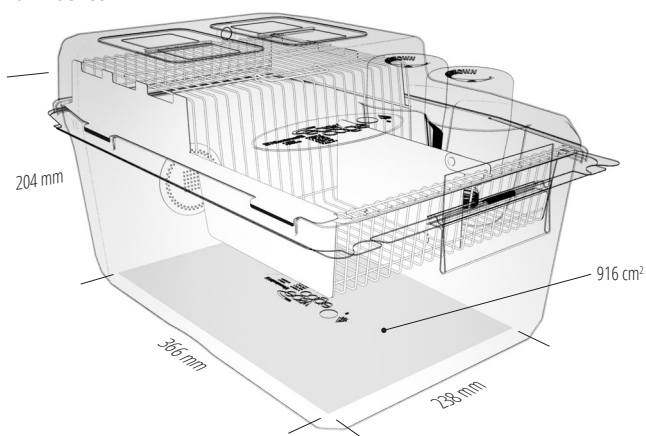
## SPECIFICATIONS

### External Dimensions



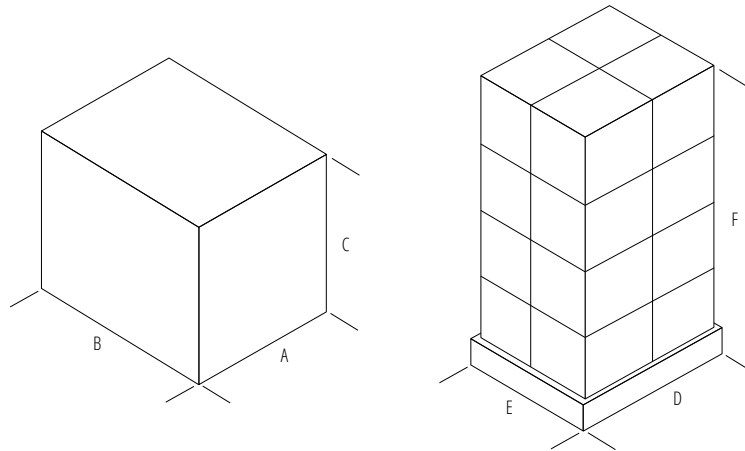
### Internal Dimensions

#### Full Pocket

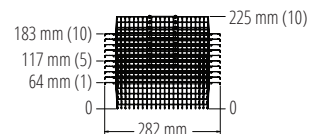
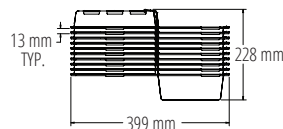


**SPECIFICATIONS**

Description	Box				Pallet			
	Items per Box	Depth (A)	Width (B)	Height (C)	Items per Pallet	Depth (D)	Width (E)	Height (F)
		mm	mm	mm		mm	mm	mm
<b>Bottle</b>								
Filled	20	279	356	114	1080	1219	1016	832
Empty	96	495	295	442	3072	1219	1016	1911
<b>Lid</b>								
Hydropac® / Bottle	50	375	635	473	800	1016	1016	2029
<b>Cardholder</b>								
Plastic	100	241	203	311	12000	1219	1016	2026
<b>Base</b>								
Empty	25	470	470	343	300	38.00	38.00	1739
Bedded (Corn Cob)	25	622	470	343	300	1219	1016	1417
Bedded (ALPHA-dri)	25	673	470	343	300	1219	1016	1417



**Stainless Steel Wire Bar Lid**



**Aluminum Lid**

